



Power Torque Brushless Electric Screwdrivers



www.kilewest.com

CONTENTS

All Kilews West USA drivers feature clean, brushless motors for dependability and longevity. All controllers are ETL listed (cETLus certification). All listed torque and accuracy values are factory test values— actual torque results may vary depending on the specific application, operator input, and test equipment used.

3 BN800 Series — 0.98–4.90 Nm (8.9–43.4 in-lbs)

Medium-torque production tool. Available in push and lever start models. ESD-safe versions available.

4 BN900 Series — 2–12 Nm (18–106 in-lbs)

Ideal for auto screw feed and fixture mount. Available in push and lever start models.

5 RBK Series — 2–35 Nm (18–310 in-lbs)

High-torque tool ideally suited for use in a torque arm. Available in push and lever start models.

6 TBN Series Pistol Grip Drivers — 2–18 Nm (18–159 in-lbs)

For applications where fasteners are installed horizontally.

7 TBK Series Pistol Grip Drivers — 0.3–5 Nm (2.7–44.3 in-lbs)

For applications where fasteners are installed horizontally.

8 Right Angle Drivers — 0.98–20 Nm (8.9–177 in-lbs)

For installing fasteners in areas with limited access. ESD-safe versions available for some models.

9 Controllers & Tool Cables

Controllers and replacement tool cables for 40VDC screwdrivers.

10 Slow Start & I/O Control Modules

Module which installs inline between tool and controller to add programmability and slow start functionality.

11 Counting Controllers

Controllers for use with Kilews drivers to add programmability and provide feedback on the quantity and quality of rundowns performed.

12 Torque Reaction Arms

KP-AUX Series torque reaction arms.

13 Torque Arms & Tool Accessories

KP-AUX-B50 telescopic torque arms, KW-TRA1 economy torque arm, torque fixing rings, tool holsters, and the KL-1200 spring balancer.

14 Adjustable & Preset Manual Screwdrivers

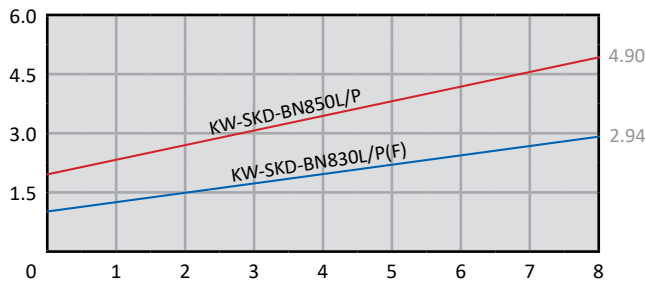
Ergonomic manual screwdrivers

15 Torque Meters

KTM-150, KTM-250, KTM-1000

BN800 SERIES — 0.98–4.90 Nm (8.9–43.4 in-lbs)

Torque Range (Nm)



*Requires a Controller (see pg. 8–10)



Included Accessories

- 2x 1/4" Hex Bits (PH#2)
- Torque Fixing Ring
- 6-Pin 2m Tool Cable
- Pistol Grip Attachment and Suspension Bail

Optional Accessories (details on pg. 11)

Torque Fixing Ring	Standard — KC-7C ESD — KC-7S
Torque Adjust Tool	KW-1
Tool Holster	KH-6
Pistol Grip Attachment	Standard, Lever Start — LG-8 Standard, Push Start — PG-8 ESD, Lever Start — LG-8S ESD, Push Start — PG-8S
Spring Balancer	KL-1200

Specifications

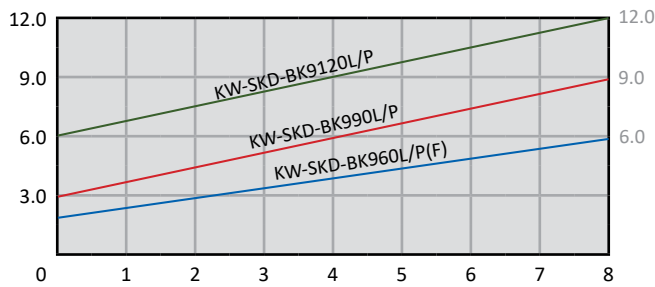
Model*	Torque Range**		Speed (rpm)	Start Type	Screw Diameter (mm)		Dimensions (mm)	Weight
	Nm	in-lbs			Machine	Tapping		
KW-SKD-BN830L	0.98–2.94	8.9–26.0	1000	Lever	2.6–4.0	2.6–3.5	278 (L) x 39.5 (dia)	0.8 kg 1.76 lbs
KW-SKD-BN830P				Push				
KW-SKD-BN830LF			2000	Lever				
KW-SKD-BN830PF				Push				
KW-SKD-BN850L	1.96–4.90	17.4–43.4	1000	Lever	4.0–5.0	≤ 4		
KW-SKD-BN850P				Push				

*For tools with ESD-safe housing, add suffix 'ESD'

**Torque accuracy is $\pm 3\%$. Actual torque results may vary based on application and operating conditions.

BN900 SERIES — 2-12 Nm (18-106 in-lbs)

Torque Range (Nm)



Included Accessories

- 2x 1/4" Hex Bits (PH#2, PH#3)
- 6-Pin 2m Tool Cable
- Side Handle Attachment
- Suspension Bail

Optional Accessories (details on pg. 11)

Torque Fixing Ring	KC-27A
Tool Holster	KH-6
Pistol Grip Attachment	Lever Start — LG-13 Push Start — PG-13
Spring Balancer	KL-1200
Torque Arm*	See page 11 for available Torque Arms...

*Due to the high torque output of these tools, the use of a torque arm is highly recommended



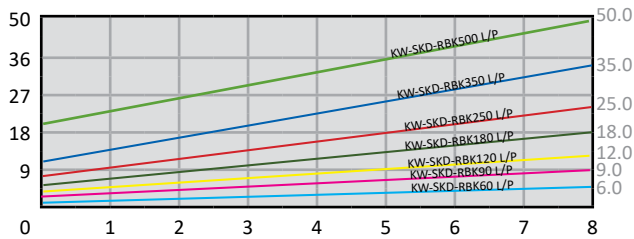
Specifications

Model	Torque Range*		Speed (rpm)	Start Type	Screw Diameter (mm)		Dimensions (mm)	Weight
	Nm	in-lbs			Machine	Tapping		
KW-SKD-BK960L	2-6	18-53	1000	Lever	4.0-5.0	≤ 4	306 (L) x 41.4 (dia)	1.03 kg 2.3 lbs
KW-SKD-BK960P				Push				
KW-SKD-BK960LF			2000	Lever				
KW-SKD-BK960PF				Push				
KW-SKD-BK990L	3-9	27-79	1000	Lever	≤ 6	≤ 5		
KW-SKD-BK990P				Push				
KW-SKD-BK9120L	6-12	53-106	880	Lever	≤ 8	≤ 6		
KW-SKD-BK9120P				Push				

*Torque accuracy is ±5%. Actual torque results may vary based on application and operating conditions.

RBK SERIES — 2-50 Nm (18-443 in-lbs)

Torque Range (Nm)



Included Accessories

- 2x 1/4" Hex Bits (PH#3)
- 6-Pin 2m Tool Cable
- Side Handle Attachment
- Suspension Bail

Optional Accessories (details on pg. 11)

Torque Fixing Ring	KC-22A
Tool Holster	KH-7
Spring Balancer	KL-1200
Torque Arm*	See page 11 for available Torque Arms...

*Due to the high torque output of these tools, the use of a torque arm is highly recommended



*Requires a Controller (see pg. 8-10)

Specifications

Model*	Torque Range**		Speed (rpm)	Start Type	Screw Diameter (mm)		Dimensions (mm)	Weight
	Nm	in-lbs			Machine	Tapping		
KW-SKD-RBK60L	2-6	18-53	1200	Lever	4.0-5.0	≤ 4	315	1.25 kg 2.75 lbs
KW-SKD-RBK60P				Push				
KW-SKD-RBK90L	3-9	27-79	900	Lever	5.0-6.0	≤ 4.5		
KW-SKD-RBK90P				Push				
KW-SKD-RBK120L	4-12	36-106	600	Lever	≤ 8	≤ 6		
KW-SKD-RBK120P				Push				
KW-SKD-RBK180L	6-18	53-159	370	Lever	≤ 10	≤ 8		
KW-SKD-RBK180P				Push				
KW-SKD-RBK250L	8-25	71-221	370	Lever	≤ 10	≤ 8		
KW-SKD-RBK250P				Push				
KW-SKD-RBK350L	12-35	106-310	350	Lever	≤ 12	≤ 10		
KW-SKD-RBK350P				Push				
KW-SKD-RBK500L	20-50	177-443	200	Lever	≤ 14	≤ 12	380	2.2 kg 4.9 lbs
KW-SKD-RBK500P				Push				

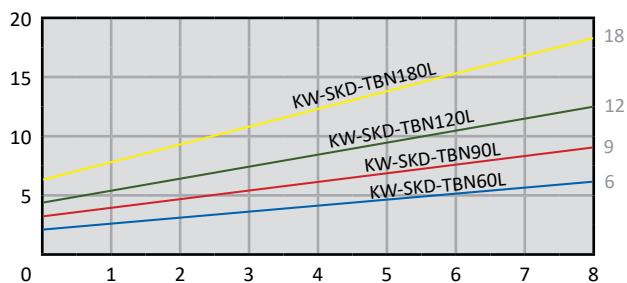
*For tools with ESD-safe housing, add suffix '-ESD' (not available on RBK350 or RBK500 models)

*Drive is 1/4" hex by default — For 3/8" square drive, add suffix '-SQ' (RBK350 & RBK 500 are 3/8" square drive by default)

**Torque accuracy is ±5%. Actual torque results may vary based on application and operating conditions.

TBN SERIES PISTOL GRIP DRIVERS — 2-18 Nm (18-159 in-lbs)

Torque Range (Nm)



*Requires a Controller (see pg. 8-10)



Included Accessories

- 2x 1/4" Hex Bits (PH#3)
- 6-Pin 2m Tool Cable
- Suspension Bail

Optional Accessories (details on pg. 11)

Torque Fixing Ring	KC-21A
Tool Holster	KH-7
Spring Balancer	KL-1200

Specifications

Model*	Torque Range**		Speed (rpm)	Screw Dimensions (mm)		Dimensions (mm)	Weight
	Nm	in-lbs		Machine	Tapping		
KW-SKD-TBN60L	2-6	18-53	1000	4.0-5.0	≤ 4	270 (L) x 169 (H) x 48 (dia)	1.2 kg 2.64 lbs
KW-SKD-TBN90L	3-9	27-79	800	5.0-6.0	≤ 4.5		
KW-SKD-TBN120L	4-12	36-106	550	≤ 8	≤ 6		
KW-SKD-TBN180L	6-18	53-159	350	≤ 10	≤ 8		

*Standard cable connection is in bottom of handle — for top rear connection, add suffix '-U'

**Torque accuracy is ±5%. Actual torque results may vary based on application and operating conditions.

SKD-TBK SERIES 40V PISTOL GRIP SCREWDRIVERS

Torque Range:

0.3–5.0 Nm (2.7–44.3 in-lbs)

Features:

- Consistent torque output — Torque accuracy $\pm 5\%$ *
- Clean, powerful 40V brushless motor technology
- Fan-cooled motor reduces heat build-up
- Dependable, long lifespan
- Two speed selections available
- Trigger start, forward/reverse switch
- Compact, ergonomic pistol housing
- Available with top or bottom cable connection
- Optional ESD housing available
- Includes coiled tool cable, suspension bail, torque lock sleeve, 2 driver bits



*Factory test values — actual torque results may vary depending on the specific application, operator input, and test equipment used.

Specifications

Model**	KW-SKD-TBK20L	KW-SKD-TBK25LF	KW-SKD-TBK30L	KW-SKD-TBK50L	
Input Voltage	40V DC				
Torque Range	Nm	0.3–2	0.8–2.5	0.8–3	2–5
	in-lbs	2.7–17.7	7.1–22.1	7.1–26.5	17.7–44.3
Repeatable Torque Accuracy	$\pm 5\%$				
Speed (rpm)	1200	2500	1200	700	
Screw Diameter (mm)	Machine	2.3–3.5	2.6–4.0	2.6–4.0	4.0–5.0
	Tapping	2.3–3.0	2.6–3.5	2.6–3.5	≤ 4
Weight	0.7 kg (1.5 lbs)				
Size (L x H)	185 x 150 mm (7.3 x 5.9")				
Power Controller (required)	KW-SKP-40B-HL (standard), KW-SKP-BC40HL (count/verify)	KW-SKP-40B-HL-800 KW-SKP-BC40HL-800 v3.0	KW-SKP-40B-HL (standard), KW-SKP-BC40HL (count/verify)		
Applicable Bit Type	1/4" Hex				

**Standard model has cable connection in bottom of handle — for top connection, add suffix '-U'. For ESD-safe housing, add suffix '-ESD'.

Accessories (Purchased Separately)

			
KW-SKP-40B-HL Power Controller	KW-SKP-BC40HL Count/Verify Power Controller	KH-6 Tool Holster	KL-1200 Tool Balancer

40V RIGHT ANGLE DRIVERS — 0.98–22 Nm (8.9–195 in-lbs)

Features

- Angle head provides access to tight locations
- Consistent torque output — Torque accuracy $\pm 5\%$ *
- Clean, powerful 40V brushless motor technology
- Dependable, long lifespan
- Lever start, forward/reverse switch
- Optional ESD housing available (only on BN8 Series drivers)
- Includes hex key and 6-pin 2m tool cable

*Factory test values — actual torque results may vary depending on the specific application, operator input, and test equipment used.

Optional Accessories

Spring Balancer

KL-1200 (BN8 models only)

KL-2000 (RBK/TB/BK9 Models only)

Controllers (Required, Purchased Separately)



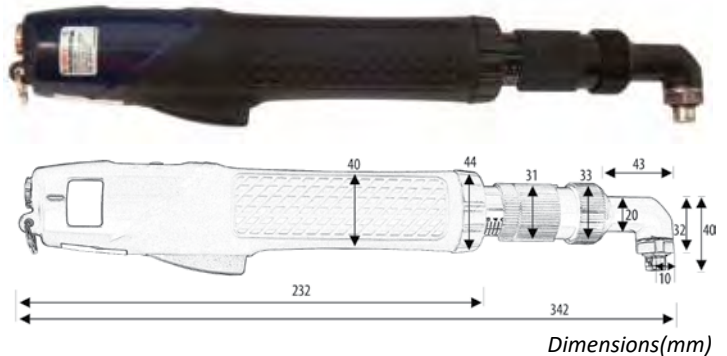
KW-SKP-40BHL(-800)
Power Controller



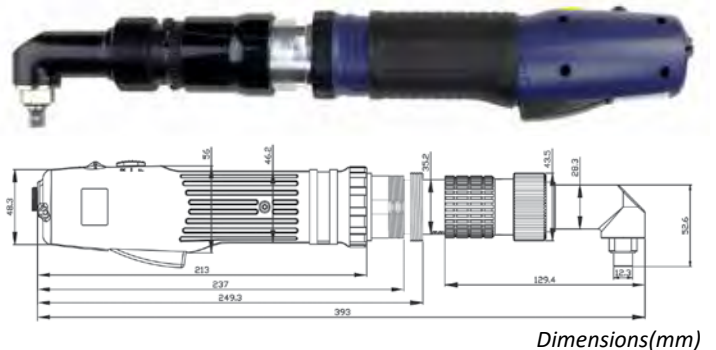
KW-SKP-BC40HL(-800)
Count/Verify Power Controller

*use “-800” model with LRBK model drivers

KW-SKD-BN8 Models, 0.98–3.61 Nm (8.9–92 in-lbs)



KW-SKD-LRBK Models, 2–22 Nm (18–195 in-lbs)



Specifications

Model*	Torque Range		Speed (rpm)	Drive Type	Dimensions (mm)	Weight
	Nm	in-lbs				
KW-SKD-BN830L-RA	0.98–2.15	8.9–19	1000	1/4" Hex	342 (L) x 39.5 (dia)	1.07 kg 2.36 lbs
KW-SKD-BN830LF-RA			2000			
KW-SKD-BN850L-RA	1.96–3.61	17.4–32	1000	3/8" Sq**	393 (L) x 46.2 (dia)	2.5 kg 5.5 lbs
KW-SKD-LRBK50W	2–5	18–45	1200			
KW-SKD-LRBK75W	3–7.5	27–67	900			
KW-SKD-LRBK100W	6–10	53–90	600			
KW-SKD-LRBK100FW			880			
KW-SKD-LRBK150W	8–15	71–145	370			
KW-SKD-LRBK150FW			600			
KW-SKD-LRBK220W			370			

*For tools with ESD-safe housing, add suffix ‘-ESD’ (Only available on BN8 Series drivers)

**Replace suffix ‘W’ with ‘B’ for 1/4" Hex drive

CONTROLLERS & TOOL CABLES

There are two standard Hi/Lo Speed Controllers available for the 40VDC brushless drivers. The KW-SKP-40B-HL is used primarily for the BN800 series of screwdrivers, while the high power model KW-SKP-40B-HL-800 is used for higher torque tools.

Both models are CE/ROHS/ETL approved.



Specifications

Model	Outlets	Speeds	Input	Output	Dimensions L x W X H (mm)	Weight	Compatible Models
KW-SKP-40B-HLN	1	Hi / Lo	100– 240VAC, 6.3A	40/30VDC, 220W	220 x 134 x 68	1.8 kg 4 lbs	KW-SKD-BN800 Series (Excluding KW-SKD-TBK25LF)
KW-SKP-40B-HL(N)-800			115/230VAC, 6.3A	40/30VDC, 360W			All 40VDC Models



Replacement Tool Cables

2m	AA50001-25N
3m	AA50001-34N
3m, coiled	AA50001-106N
3m, shielded	AA50001-140N
5m, shielded	AA50001-145N
10m, shielded	AA50001-146N

SLOW START & I/O CONTROL MODULES

Features

- Adjustable slow start speed, which can be set to one of ten values (L0–L9) from 30% to 100% of full speed
- Slow start time can be set up to 9.9 seconds
- Provides three available outputs: tool running, clutch activated and tool in reverse (MOS relay switches)
- Installs in-line between any Kilews West USA 40VDC screwdriver and its power controller
- Automatic bypass of slow start function when tool is in reverse
- Manual bypass switch will disable slow start function if required
- KW-KL-SCBSN includes a 3m long shielded tool cable to use in place of the unshielded cable included with the screwdriver



KW-KL-SSBN



KW-KL-SCBSN

Specifications

Model	KW-KL-SSBN	KW-KL-SCBSN
Dimensions (L x W x H)	58 x 95 x 35 mm 2.3 x 3.7 x 1.4 in	103 x 100 x 32 mm 4.1 x 3.9 x 1.3 in
Weight	130 g / 0.3 lbs	180 g / 0.4 lbs
Compatible Tools	All 40VDC Models	
Available Inputs	—	Remote Start, Remote Reverse, Remote Enable / Disable
Available Relay Outputs	Tool Running, Clutch Activated, Tool in Reverse	
Slow Start Time	0.1–9.9 s	0.0–9.9 s
Slow Start Speed	30%–100%	



40VDC Screwdriver

Control Module

40VDC Power Controller

COUNTING CONTROLLERS

Features

- Selectable slow start speed and time
- Large LED display shows screw count values
- Externally accessible I/O connections
- Programmable batch counting with audible buzzer indicating batch complete
- Programmable time window for comparison with actual fastening cycle time — LEDs indicate OK/NG rundown cycle
- Optional timed auto-reverse for applications requiring back-out after fastening
- Locks to limit access to program modifications
- CE / RoHS / ETL compliant
- Includes a 3m long shielded tool cable to use in place of the unshielded cable included with the screwdriver



Parameters are set up on the counting controller using the four button keypad and LED display panel. A simple program loop provides access to settings for slow start speed and time, batch count quantity, and min/max allowable rundown times. During normal operation, the large two-digit display shows the current screw count value and also provides LED indication of whether the rundown was good (OK) or no good (NG) based on the time window parameters that have been programmed into the controller.

Specifications

	KW-SKP-BC40HLN	KW-SKP-BC40HL(N)-800
Model	KW-SKP-BC40HLN	KW-SKP-BC40HL(N)-800
Compatible Models	KW-SKD-BN800 Series (Excluding KW-SKD-TBK25LF)	All 40VDC Models
Input Voltage	100–240VAC, 50/60Hz, 6.3A	115/230VAC, 50/60Hz, 6.3A
Output Voltage	40/32/24VDC, 220W	40/32/24VDC, 360W
Outlets	1	
Dimensions (L x W x H)	247 x 130 x 100 mm 9.7 x 5.1 x 3.9 in	
Weight	2.4 kg / 5.3 lbs	
Count (per batch)	1–99 fasteners	
Speeds	Hi / Lo	
External Inputs	Remote Start / Reverse / Disable / Confirm / Enable / Clear	
External Outputs	OK / NG / OK ALL	
Slow Start Time	0.0–9.9 s	
Slow Start Speed	35%–100%	
Approvals	CE / RoHS / ETL	

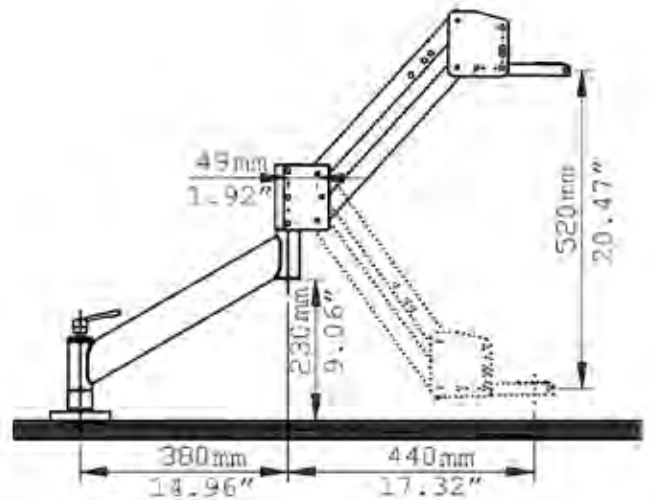
KP-AUX SERIES TORQUE REACTION ARMS

The KP-AUX1T Series arms provide excellent functionality and ergonomic benefits to any work station. Increased torque accuracy and reduced operator injury helps lead to optimal productivity.

- Working range of 50–830 mm (2-32.5")
- Max torque of 50 Nm
- KP-AUX1T arms use an integrated nitrogen gas shock, no compressed air needed
- Universal tool holder available to hold a wide range of tools



The universal tool holder accepts a diameter of 22–46mm



Specifications

Model with Dedicated Tool Holder	KP-AUX1T-B	KP-AUXA-2	KP-AUXA	KP-AUXA-500
Reach (mm)	50-830 (2-32.5")			
Compatible Models	SKD-BN830/850 SKD-BN7022/7030	SKD-BK900 Series	SKD-RBK60 to SKD-RBK250	SKD-RBK350 Series SKD-RBK500 Series
Model with Universal Tool Holder	KP-AUX1T-UTH	KP-AUXA-UTH		KP-AUXA-500-UTH
Reach (mm)	50-830 (2-32.5")			
Tool Weight Range	0-1 (0-2.2 lbs)	1-2 (2.2-4.4 lbs)	2-3 (4.4-6.6 lbs)	

TORQUE ARMS & TOOL ACCESSORIES

KP-AUX-B50 Telescopic Torque Arms



The KP-AUX-B50 telescopic torque arms mount to a wall and support the weight of a driver. It is constructed from a lightweight aluminum alloy, allows for a smooth range of motion, and features a tool holder which accommodates all Kilews West screwdrivers.

The KP-AUX-B50-1000 has a working range of 430–1000 mm, while the KP-AUX-B50-1200 has a range of 500–1200 mm.

KW-TRA1 Economy Torque Reaction Arm

Reduce employee injury by absorbing torque transmission, eliminating repetitive strain on hands, wrists and arms. These arms are capable of supporting tools up to 5 lbs (2.27 kg) while withstanding torque reaction up to 240 in-lbs (27 Nm). Arm height is adjustable, and a parallel arm design keeps the tool perpendicular to the work surface. Tool weight is supported by a spring-loaded arm assembly with adjustable spring tension.



Torque Fixing Rings



A torque fixing ring attaches to a screwdriver in order to lock in a torque setting and prevent tampering. Plastic fixing rings are included with BN800 series tools, while those available for all other 40VDC drivers are metal.

KH-6 & KH-7 Tool Holders



A KH series tool holder provides a secure place to park a screwdriver when it is not in use. It mounts to a work bench or other flat surface and features an angle adjustment for optimal positioning.

KL Series Spring Balancers

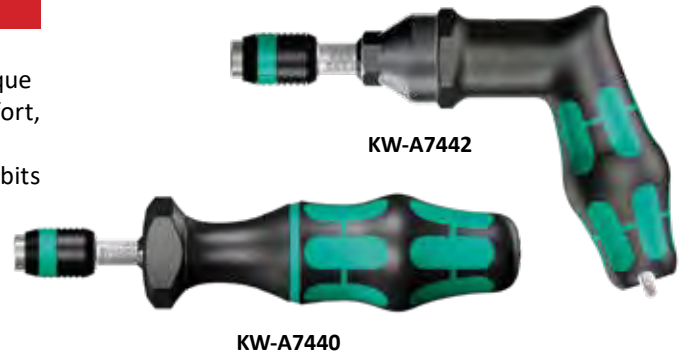


The KL-600/1200/2000 suspends a driver over the work area for easy access. All models feature an adjustable spring tension to support a wide range of tool weights and a travel distance of up to 1.8m.

ADJUSTABLE & PRESET MANUAL SCREWDRIVERS

Features

- Adjustable in small increments — Set and lock at required torque
- Ergonomic handle provides better turning power with less effort, minimizing operator fatigue
- Quick change bit holder accommodates insert and power bits (1/4" Hex models)
- Accuracy is $\pm 6\%$ (complies with EN ISO 6789)
- Calibration certificate provided with each tool
- ESD-safe models identified by yellow grip and ESD symbol



Adjustable Screwdrivers

Model	ESD-Safe Model	Style	Range	Graduations	Length (mm)	Drive
—	KW-A1430-ESD	Straight	0.02–0.06 Nm	0.0025 Nm	141	4mm Halfmoon / 4mm Winged
—	KW-A1431-ESD	Straight	0.05–0.11 Nm	0.005 Nm	141	
—	KW-A7435-ESD	Straight	0.10–0.34 Nm	0.015 Nm	142	
—	KW-A7436-ESD	Straight	0.30–1.00 Nm	0.05 Nm	142	
KW-A7430	KW-A7430-ESD	Straight	0.10–0.34 Nm	0.015 Nm	142	1/4" Hex
KW-A7431	KW-A7431-ESD	Straight	0.30–1.00 Nm	0.05 Nm	142	
KW-A7432	KW-A7432-ESD	Straight	0.90–1.50 Nm	0.05 Nm	142	
KW-A7440	KW-A7440-ESD	Straight	0.3–1.2 Nm	0.05 Nm	155	
KW-A7441	KW-A7441-ESD	Straight	1.2–3.0 Nm	0.10 Nm	155	
KW-A7442	—	Pistol	3.0–6.0 Nm	0.25 Nm	150 x 100	
KW-A7443	—	Pistol	4.0–8.8 Nm	0.40 Nm	150 x 100	
KW-A7445	KW-A7445-ESD	Straight	2.5–11.5 in-lbs	0.5 in-lbs	155	
KW-A7446	KW-A7446-ESD	Straight	11–29 in-lbs	1.0 in-lbs	155	
KW-A7447	—	Pistol	25–55 in-lbs	2.5 in-lbs	150 x 100	



KW-A7436-ESD

Preset Screwdrivers

Model	ESD-Safe Model	Style	Range	Length (mm)	Drive
—	KW-P1460-ESD	Straight	0.02–0.06 Nm	131	4mm Halfmoon / 4mm Winged
—	KW-P1461-ESD	Straight	0.05–0.11 Nm	131	
—	KW-P7455-ESD	Straight	0.1–0.34 Nm	138	
—	KW-P7456-ESD	Straight	0.3–1.0 Nm	138	
KW-P7450	KW-P7450-ESD	Straight	0.1–0.34 Nm	133	1/4" Hex
KW-P7451	KW-P7451-ESD	Straight	0.3–1.0 Nm	133	
KW-P7452	KW-P7452-ESD	Straight	0.9–1.5 Nm	133	
KW-P7460	KW-P7460-ESD	Straight	0.3–1.2 Nm	155	
KW-P7461	KW-P7461-ESD	Straight	1.2–3.0 Nm	155	
KW-P7462	—	Pistol	3.0–6.0 Nm	150 x 100	
KW-P7463	—	Pistol	4.0–8.8 Nm	150 x 100	
KW-P7465	—	Straight	2.5–11.5 in-lbs	155	
KW-P7466	—	Straight	11–29 in-lbs	155	
KW-P7467	—	Pistol	25–55 in-lbs	150 x 100	



KW-P1460-ESD

TORQUE METERS: KTM-150, KTM-250, KTM 1000

Features:

- Ideal for electric screwdrivers
- Easy to set-up and use
- Comes with a certificate of calibration
- Data export via USB 1.0 (cable not included)
- Stores up to 800 readings
- Selectable measuring units: Lbf.in, Kgf.cm, Nm
- Portable — Rechargeable battery — Long life
- Auto zero feature
- Program high and low torque limits
- Display readings/statistics — Minimum, Maximum and Average Torque for a group of rundowns
- Select between peak, real time, and peak down (initial peak) measuring modes
- Measures both clockwise and counterclockwise torque
- Includes an AC charger and rundown joints, all in a protective carrying case



KTM-150

Specifications

Model		KTM-150	KTM-250	KTM-1000
Measuring Ranges	kgf.cm	1.5–150.0	3.0–250.0	50-1000
	lbf.in	1.3–130.02	2.6–217.0	45-885
	N.m	0.15–14.7	0.29–24.5	5-100
Accuracy		±0.5% (or ±1 digit)		
Power Supply		4 x 1.2V NiMh		3.7V Li-Ion
Charging Time		Within 3 hours		Within 8 hours
Continuous Operation At Full Charge		Approx. 12 hours		Approx. 8hrs
Battery		Rechargeable ~300 times, depending on conditions		
Dimensions (L x W x H)		230 x 125 x 65 mm	210 x 160 x 45 mm	229 x 102 x 80 mm
Weight		1.8 kg / 4 lbs	2.0 kg / 4.4 lbs	2.7 kg / 5.6 lbs
Special Charger		Input AC100–240V, 50/60Hz Output DC12V 400mA		Input AC100–240V, 50/60Hz Output DC5V 1.2A
Included Test Joints		AJ-15K AJ-50K AJ-150	AJ-250	SJ-1000



7368 Commercial Circle, Fort Pierce, FL 34951

**Ph. 772-293-0071
Fx. 772-465-4368**

**sales@kilewest.com
www.kilewest.com**



Efforts have been made to ensure accuracy of information at time of print.
All information and specifications are subject to change without notice.

Cat# KW0619-2